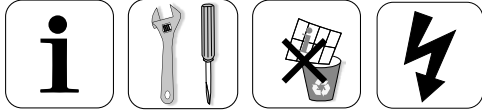


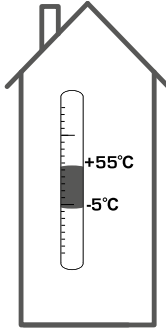
ESBE SERIES CRA, CRB, CRC, CRD, CRS



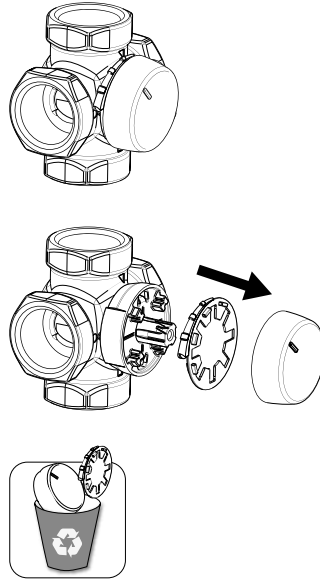
Series CRA110, CRA140, CRA150
Series CRB100
Series CRC110, CRC140
Series CRD100
Series CRS130

CE

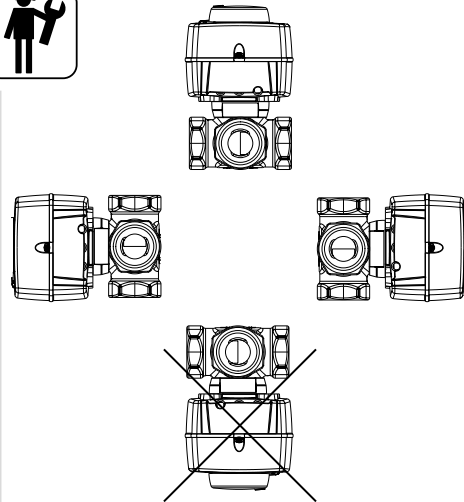
LVD 2006/95/EC valid until April 19th 2016
LVD 2014/35/EU valid from April 20th 2016
EMC 2004/108/EC valid until April 19th 2016
EMC 2014/30/EU valid from April 20th 2016
RoHS 2011/65/EU



1



2

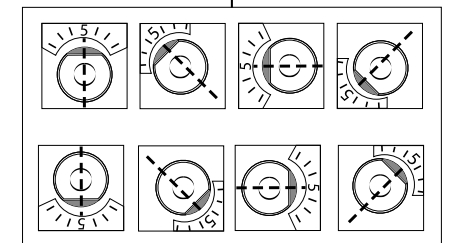
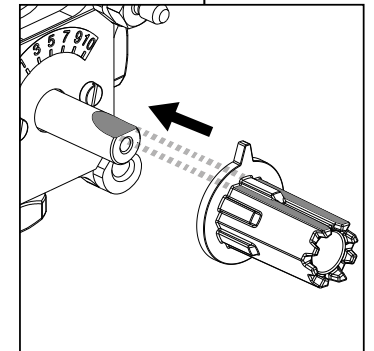
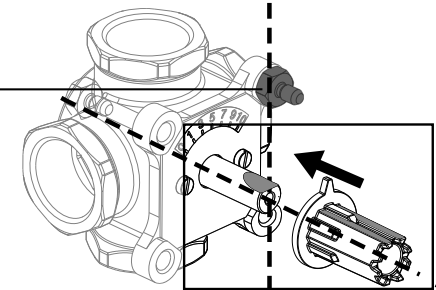


3



MG, G, F, H, HG, BIV, T, TM

	DN15-25	
	DN20-40	
	DN50	
	DN20-25	
	DN32-50	
	H: DN25	
	H: DN32-50	
	HG: DN25	
	DN20-22	
	DN25	
	T: DN20-32	
	TM: DN20	



i



CRA110, CRA140, CRA150
CRB100
CRC110, CRC140
CRD100
CRS130



VRG, VRB, VRH

3MG, 4MG



3G, 4G

3F, 4F ≤ DN50

3HG, 4HG, 3H, 4H

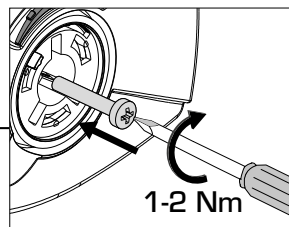
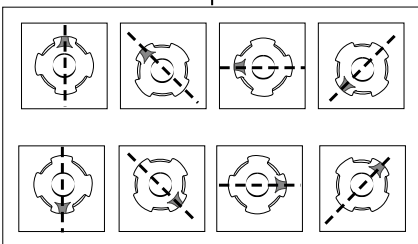
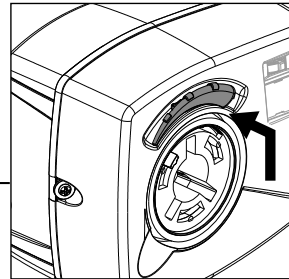
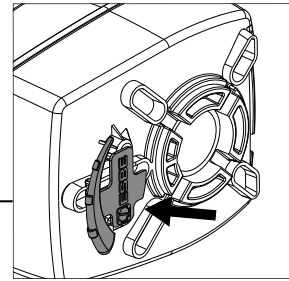
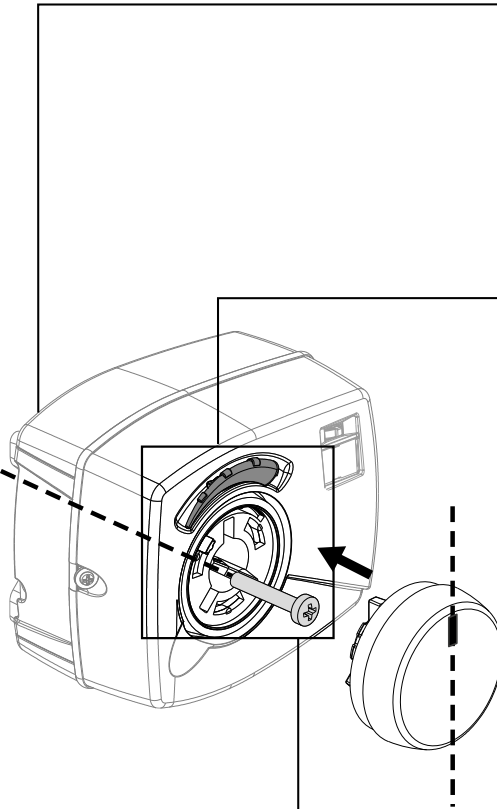
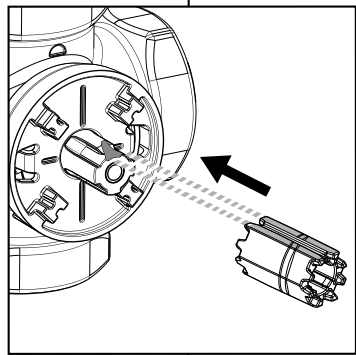
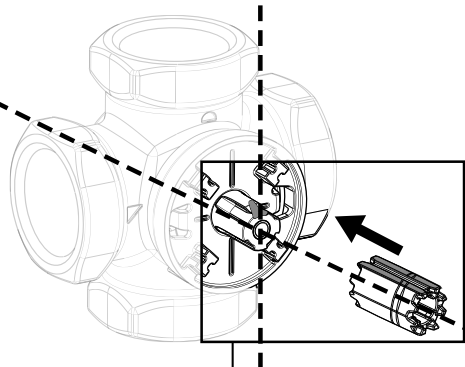


BIV



T, TM

**VRG130, VRG140,
VRG230, VRG330
VRB140, VRH130**



ESBE®
www.esbe.eu

Mtrl.nr: 98140403 • Ritn.nr: 8308 utg. D • Rev. 1512



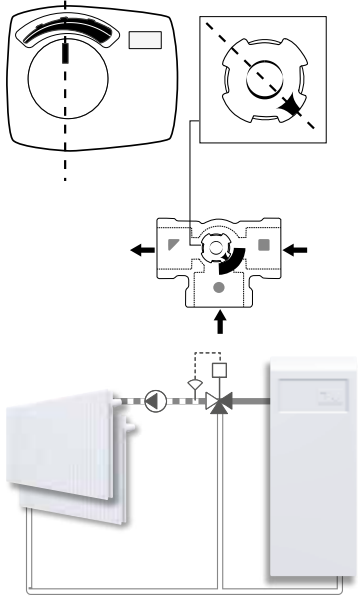
SERIES
**CRA110, CRA140, CRA150, CRB100,
CRC110, CRC140, CRD100, CRS130**

ESBE®

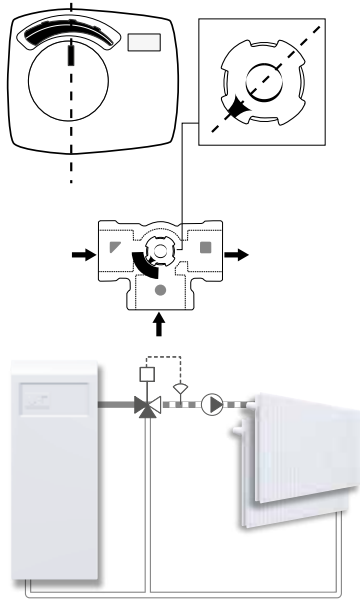
NO.1 IN HYDRONIC SYSTEM CONTROL

SERIES VRG130

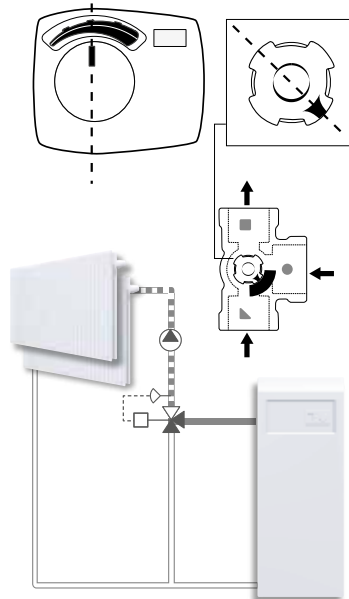
a



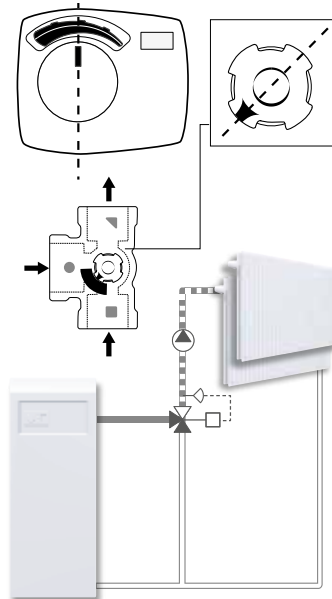
b



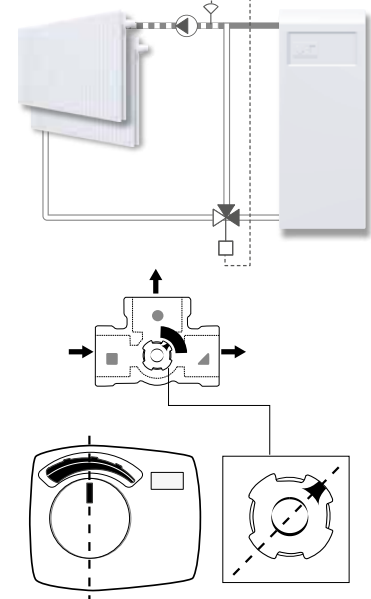
c



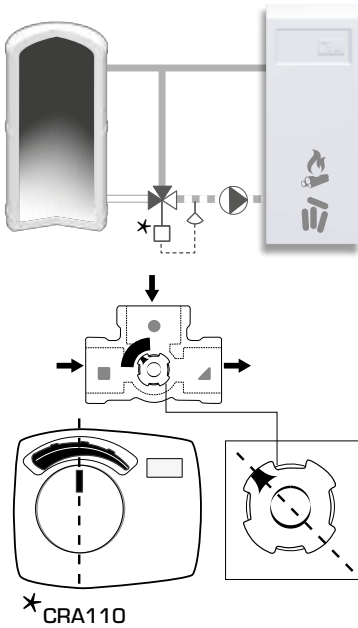
d



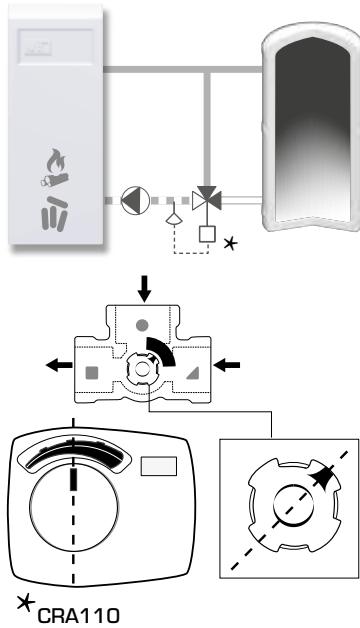
e



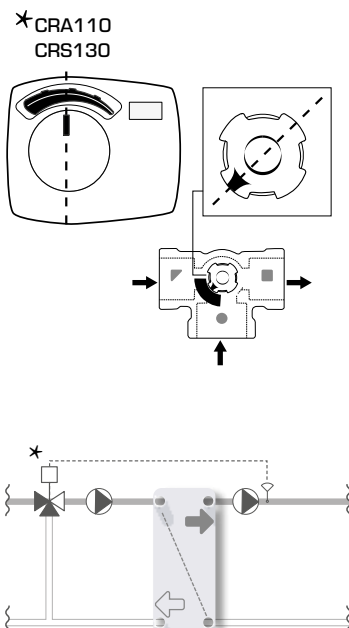
k



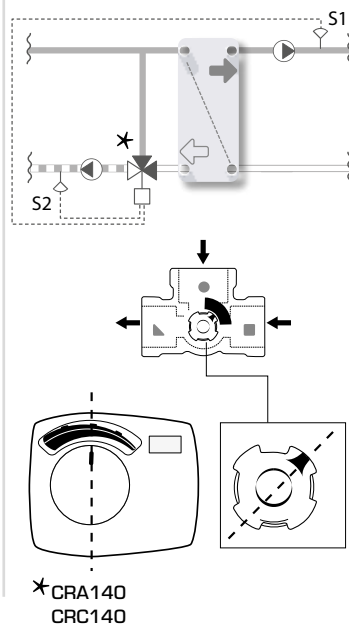
l



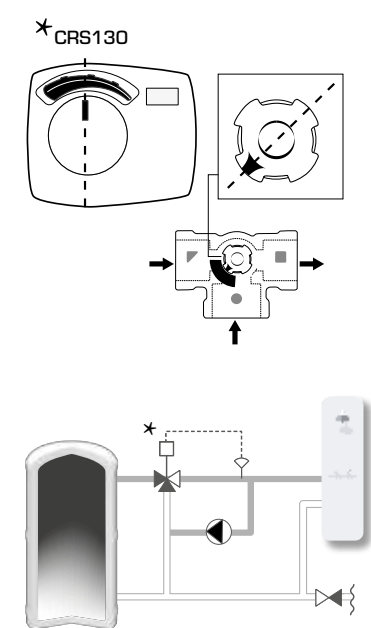
m

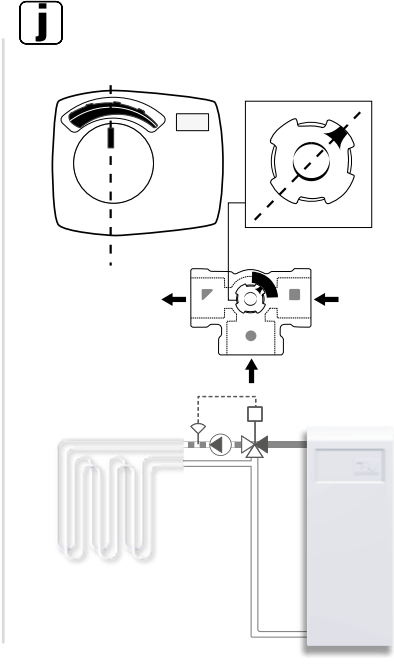
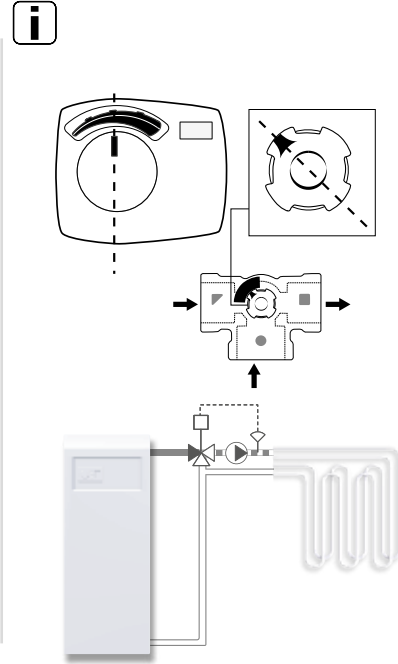
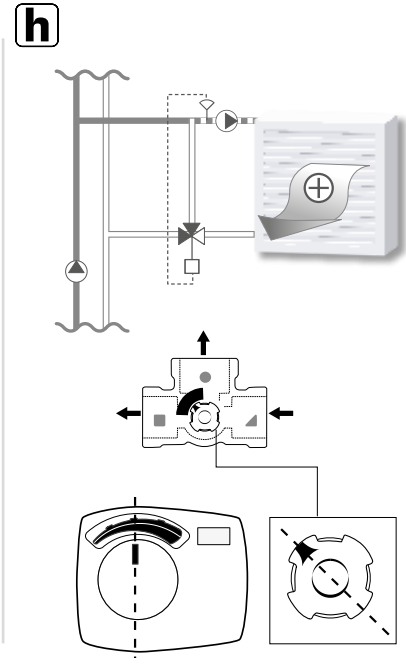
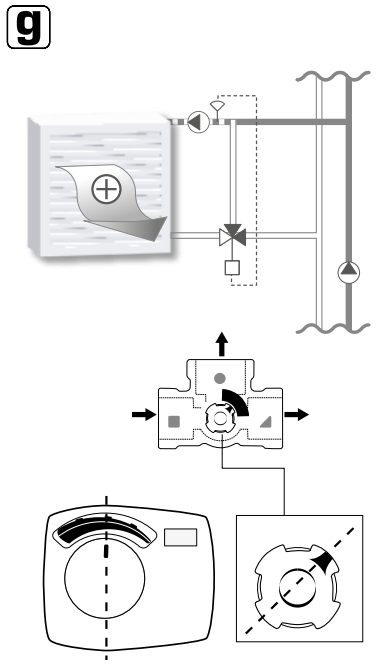
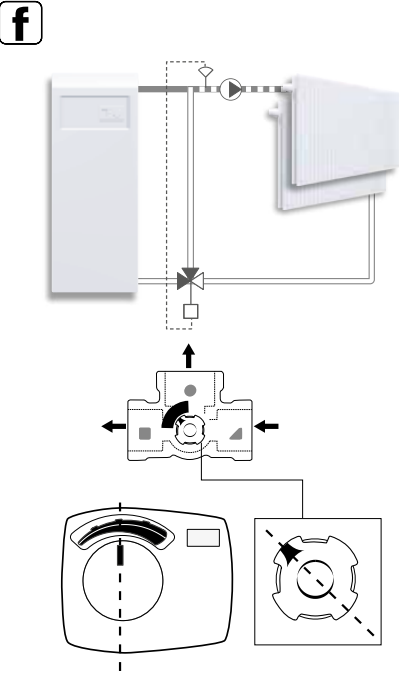


n

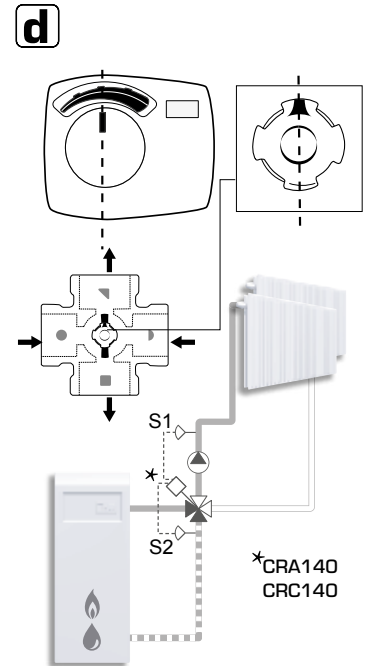
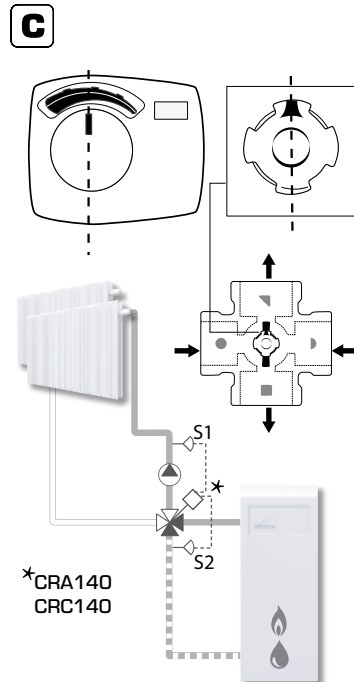
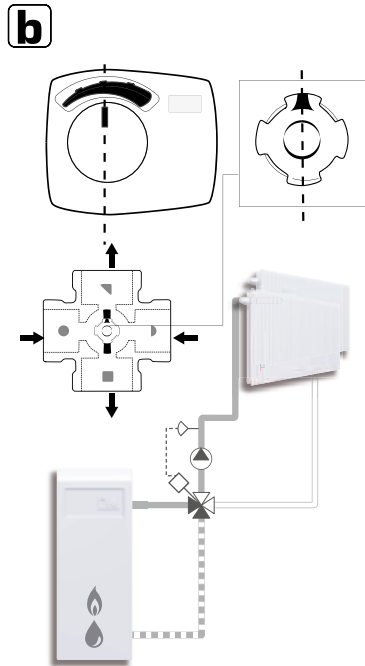
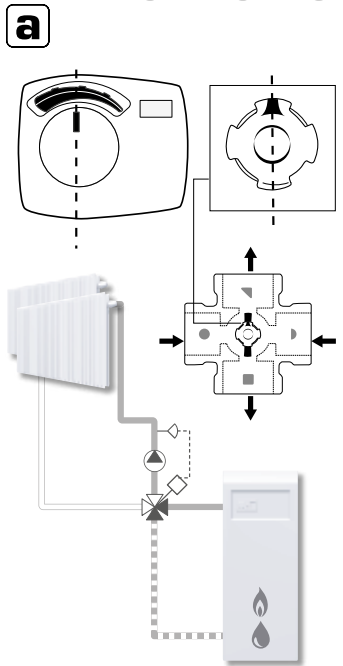


o

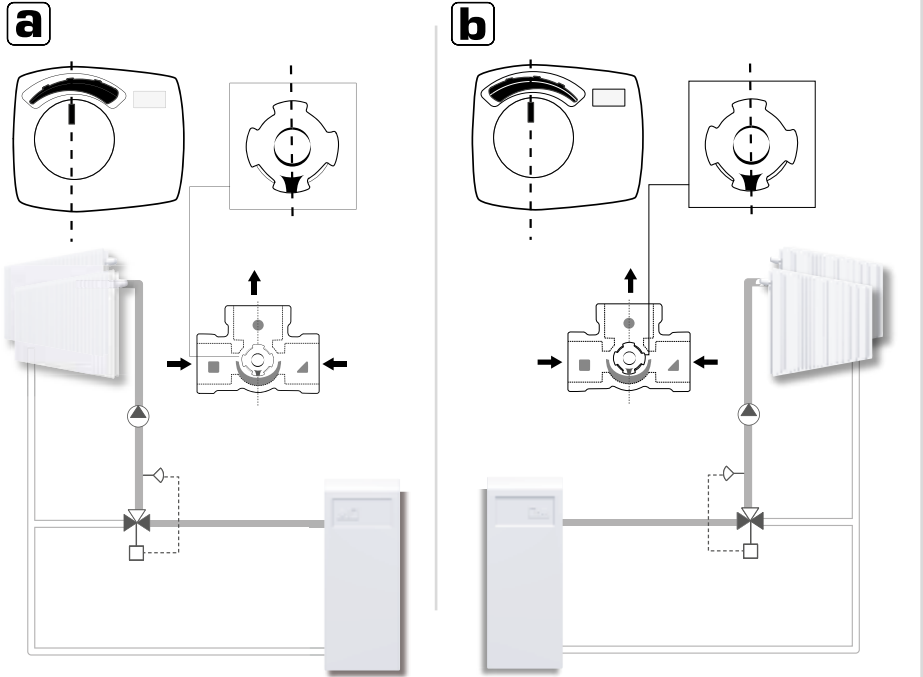




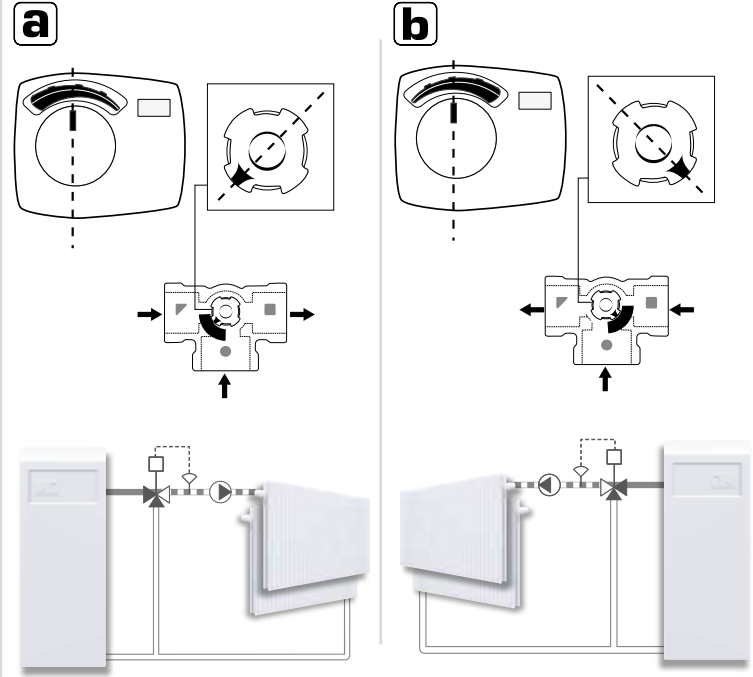
SERIES VRG140



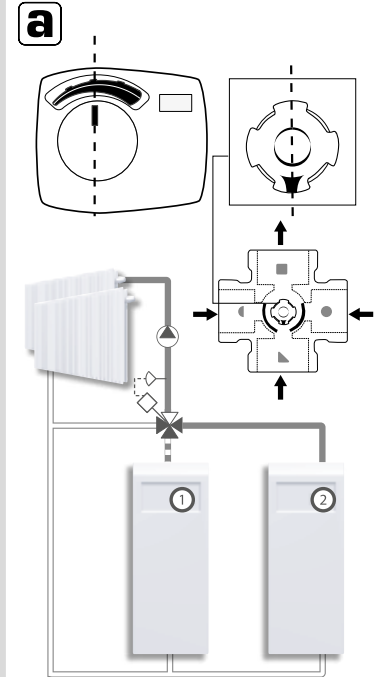
SERIES VRG230



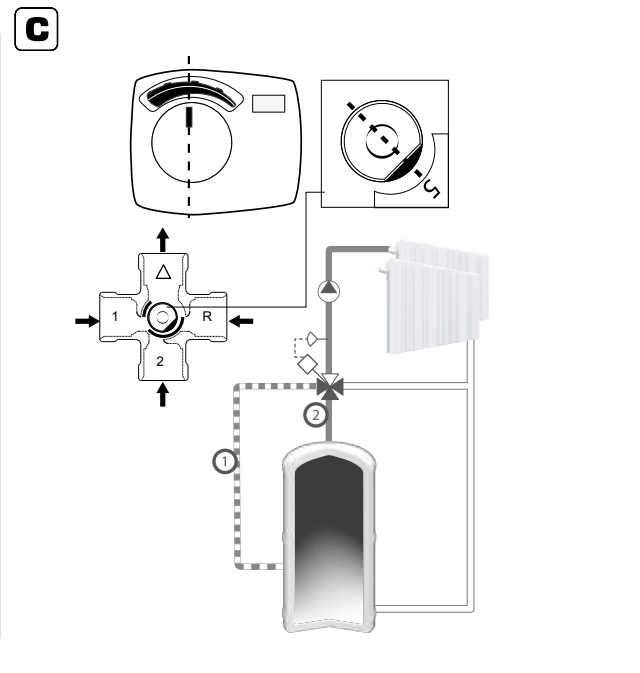
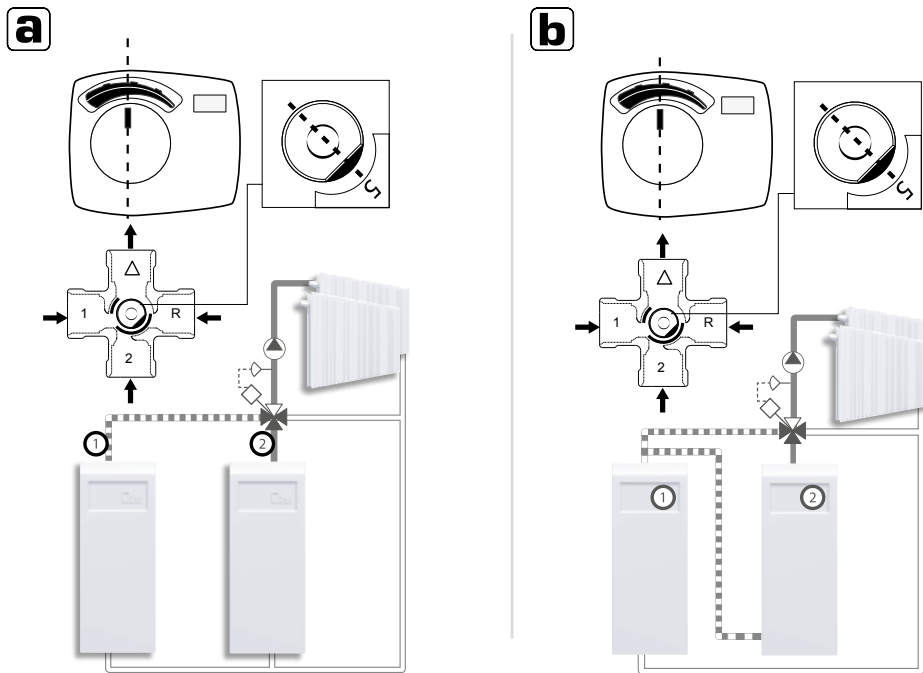
SERIES VRG330



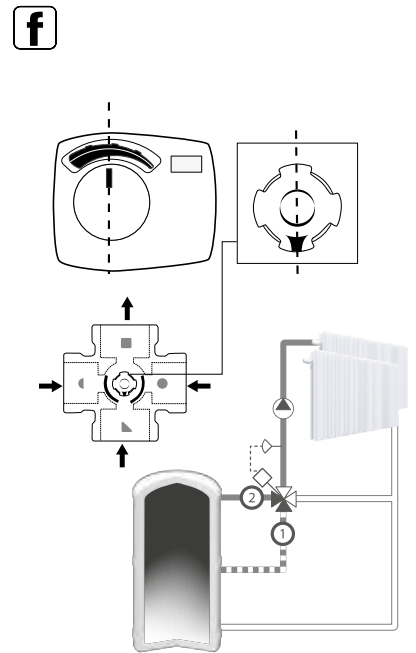
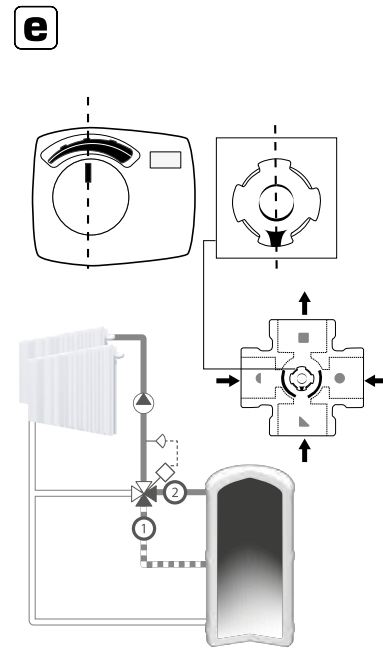
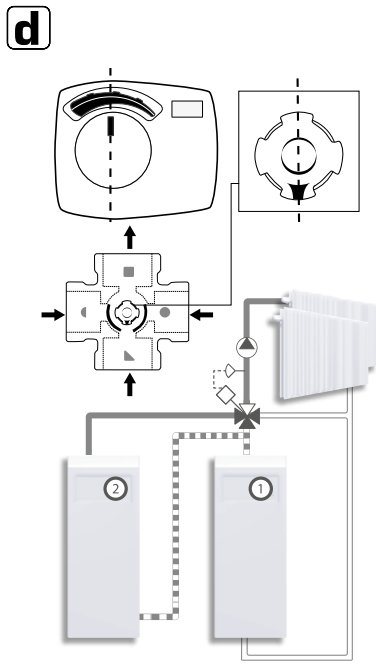
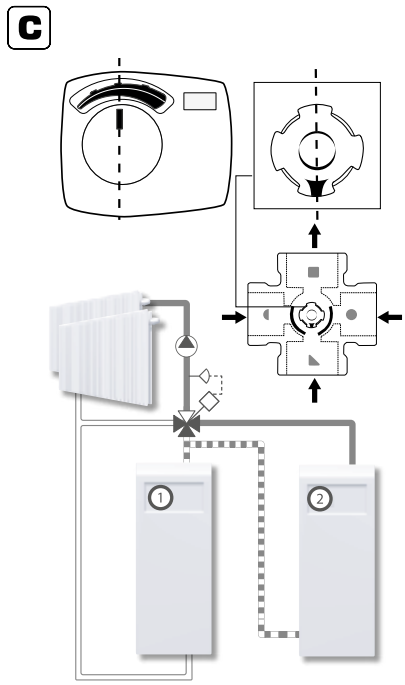
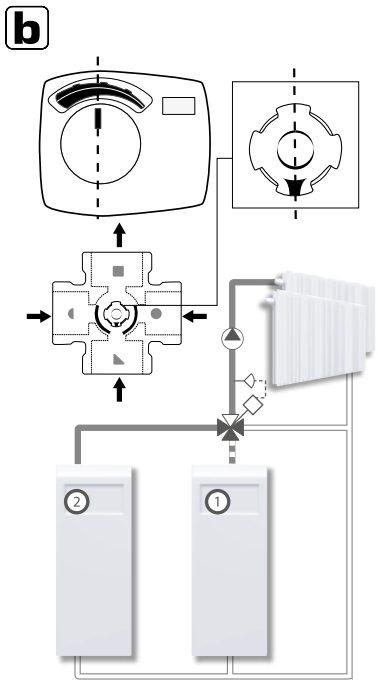
SERIES VRB140



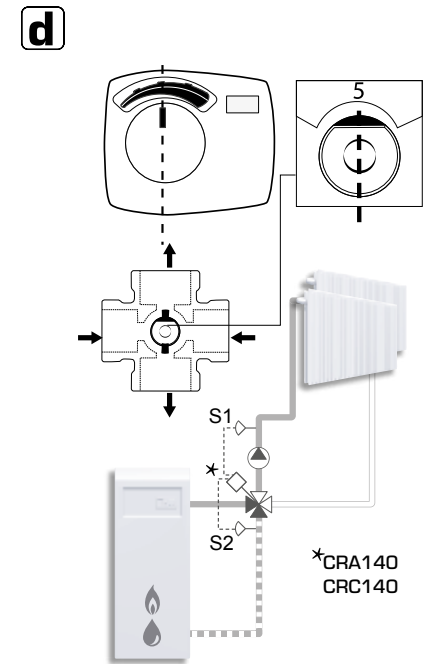
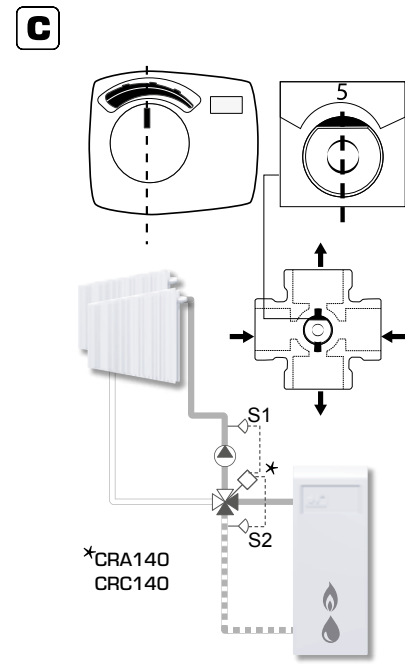
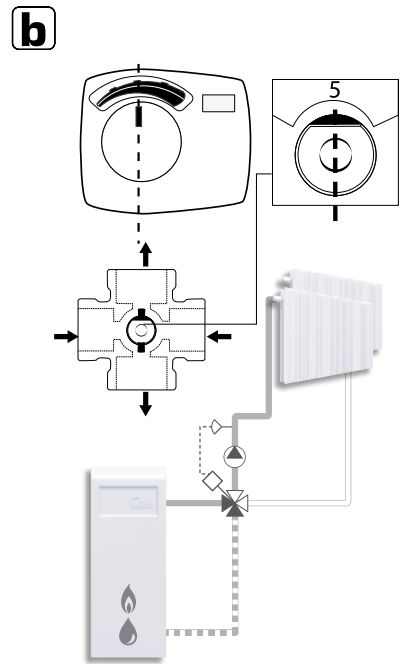
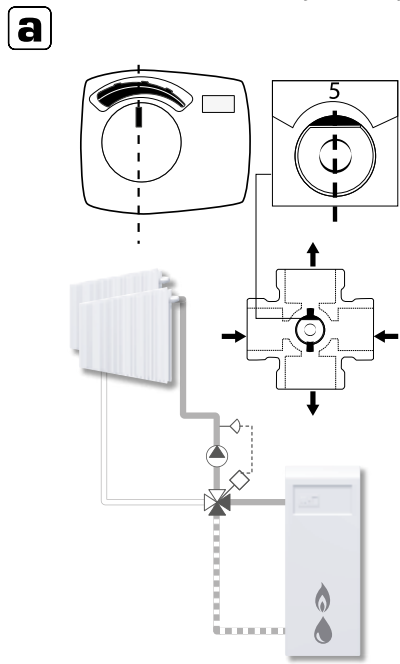
SERIES BIV



*We would like to point out to the existence of a German patent DE 10021266C5 offering the usage of bivalent 4-way valves in level control circuits. In this case the valve is used for 4-way bivalent control circuits. A typical application would be a primary heat circuit with a heat source and a parallel floor heating, where the floor heating in a regulated manner is heated through its heat source and the return from the primary heat circuit is utilized as alternative secondary heat source for the floor heating. Such a utilization of our bivalent 4-way valve without approval of the patent holder is forbidden. All other applications our product group VRB are without restrictions possible.

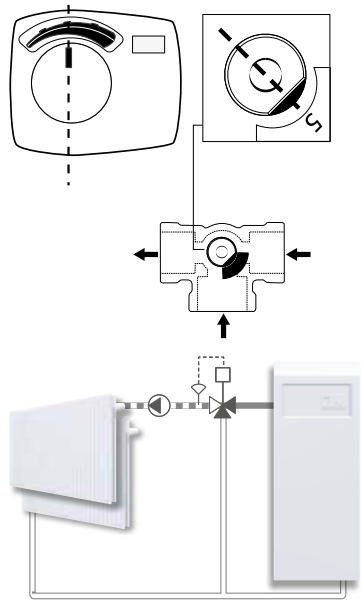


SERIES 4F, 4MG, 4G

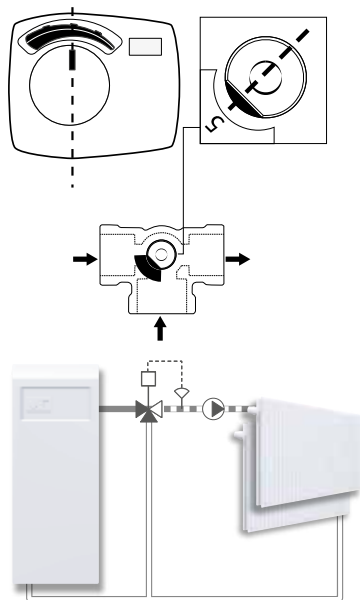


SERIES 3F, 3MG, 3G

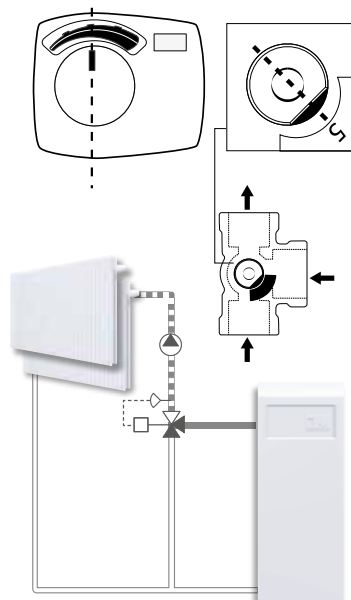
a



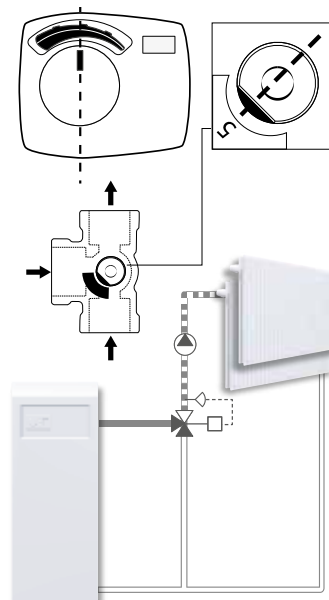
b



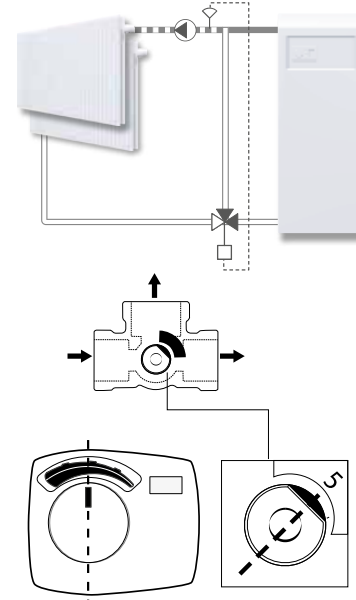
c



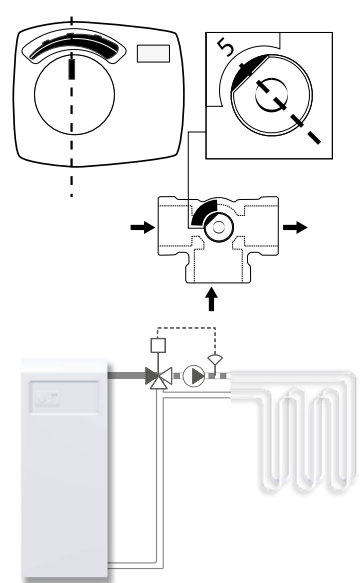
d



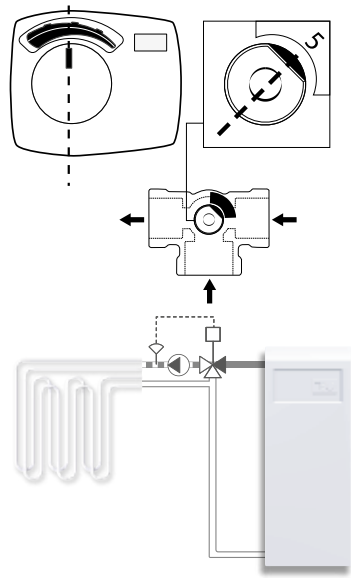
e



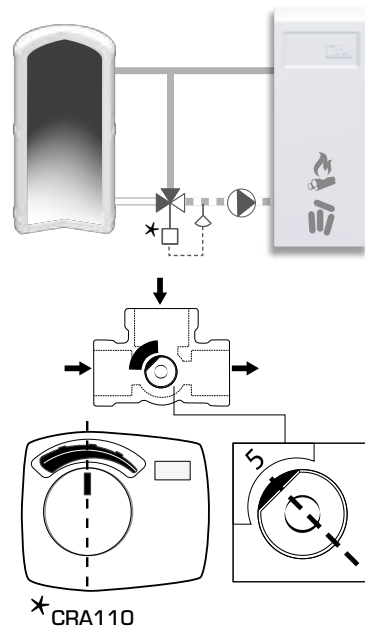
k



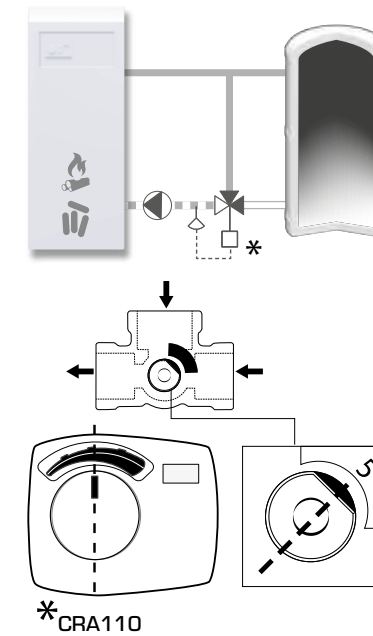
l



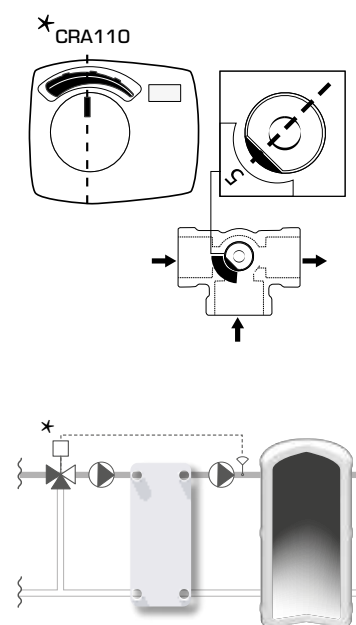
m



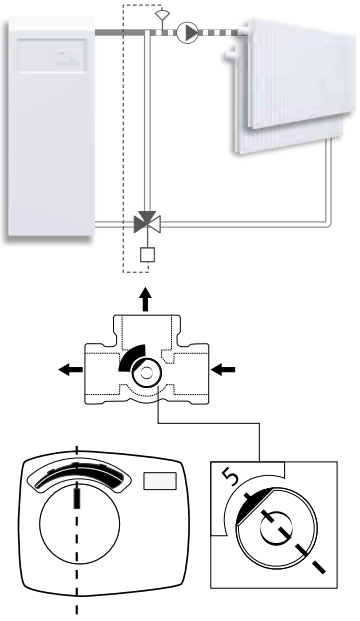
n



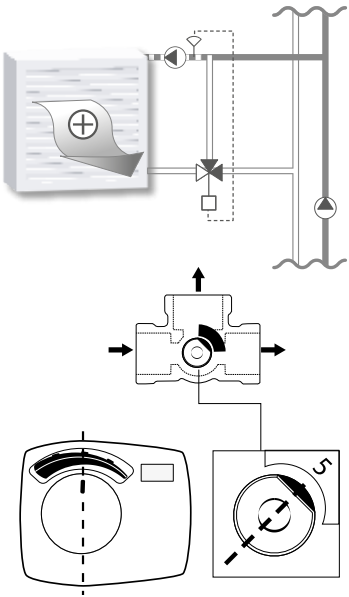
o



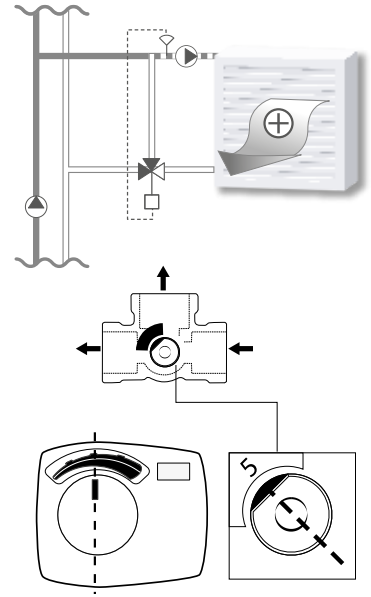
f



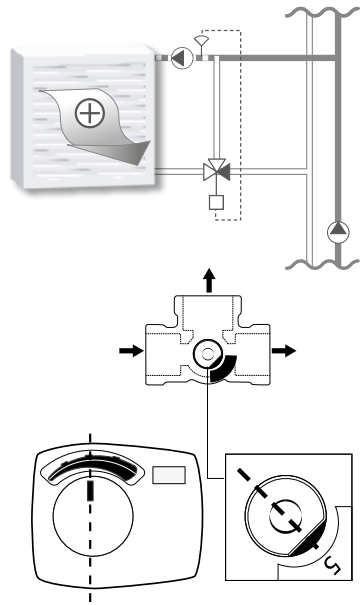
g



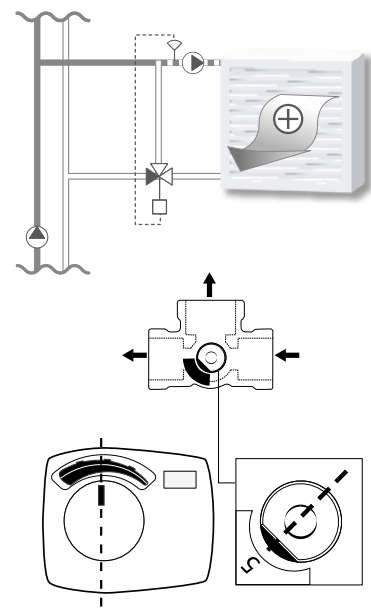
h



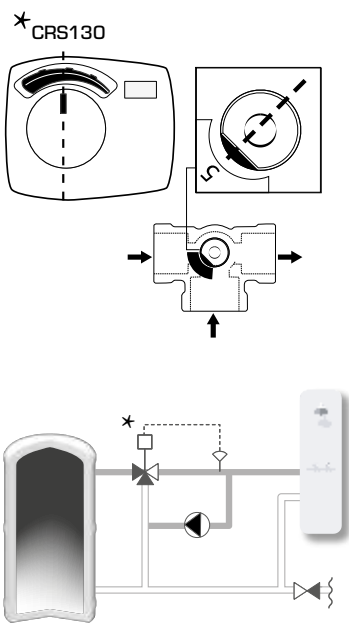
i



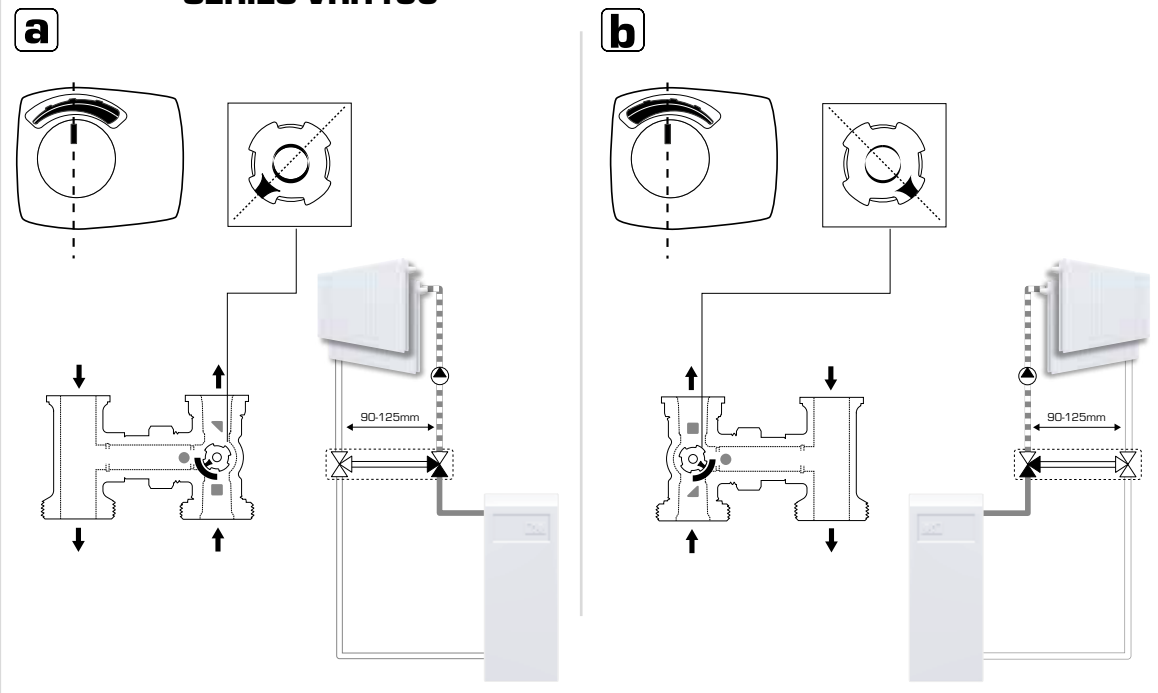
j



p

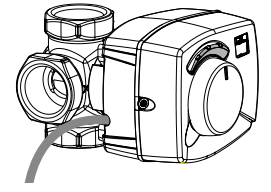
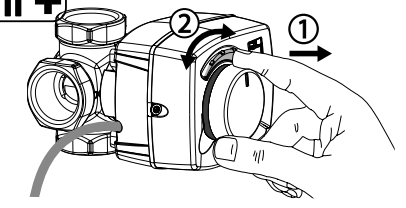


SERIES VRH130



SERIES 3F, 3MG, 3G

i



Piping Schematics are General Representations