

Nimbus Pocket M Net R32

Air to water monobloc heat pump for heating and cooling

- / Eco Refrigerant R32
- / COP up to 5.1
- / Low noise levels up to 53 dB(A)
- / Power range between 1.7 to 17.7kW
- / Modern and innovative design
- / Sensys NET HD system interface and external heat regulation sensor included as standard
- / Remote management with the Ariston NET app
- / Completely installable outdoor
- / PV function

Install recommended:

- / Anti-Freeze Kit - 3319687
- / Filter & Valves Kit - 3083059
- / Drain Pan - 3024383
- / Talk to your local Ariston Representative about further specific accessories dependent on the type of installation

ErP Energy class



bimobject®



SENSYS HD & EXTERNAL SENSOR
AS STANDARD

* Terms and conditions apply.
Please go to www.ariston.com/en-uk for more information



ARISTON NET



ENERGY EFFICIENT



VOICE CONTROL



HEATING COOLING



SUPER SILENT



PHOTOVOLTAIC SYSTEM INTEGRATION

Indoor unit Light Box



SENSYS HD & EXTERNAL SENSOR
AS STANDARD



Connectivity
Ariston NET

TECHNICAL DATA
PERFORMANCES IN HEATING*

		35	50	80	120	150
Capacity at A-7 / W35 (Min./Nom./Max.)	kW	1.04 / 3.51 / 4.52	1.04 / 5 / 5.20	1.79 / 7.41 / 8.45	2.73 / 9.51 / 11.47	2.99 / 11 / 13.79
COP nom at A-7 / W35	-	3.1	2.9	3.0	3.2	3.1
Capacity at A2 / W45 (Min./Nom./Max.)	kW	1.31 / 2.55 / 5.68	1.33 / 3 / 6.33	2.3 / 4.60 / 10.21	3.37 / 6.35 / 13.01	3.43 / 7.50 / 15.99
COP nom at A2 / W45	-	3.05	3.00	3.15	3.35	3.25
Capacity at A+7 / W35 (Min./Nom./Max.)	kW	1.68 / 3.5 / 6.35	1.68 / 5 / 7.57	2.74 / 8 / 11.74	4.23 / 12 / 14.37	4.08 / 15 / 17.65
COP nom at A+7 / W35	-	5.1	5.0	4.8	4.9	4.7
Flow temperature (Min./Max.) - HHP only	°C	-20 / 35	-20 / 35	-20 / 35	-20 / 36	-20 / 37
Working temperature (air) Min./Max.	°C	20 / 60	20 / 60	20 / 60	21 / 60	22 / 60

PERFORMANCES IN COOLING*

		35	50	80	120	150
Capacity at A35 / W7 (Min./Nom./Max.)	kW	1.16 / 3.5 / 4.04	1.16 / 5 / 5.33	2.45 / 7 / 8.54	3.30 / 9.05 / 10.45	3.30 / 11 / 13.30
EER nom at A35 / W7	-	3.4	2.9	3.1	3.2	2.9
Capacity at A35 / W18 (Min./Nom./Max.)	kW	2.16 / 4.08 / 6.50	2.16 / 4.63 / 7.86	3.31 / 7 / 11.73	4.90 / 10.74 / 15.51	4.90 / 12.5 / 17.98
EER nom at A35 / W18	-	5.3	4.6	4.7	5.1	4.7

NIMBUS POCKET M NET R32


ErP Energy class in heating 35°C / 55°C

A+++/A++

A+++/A++

A+++/A++

A+++/A++

A+++/A+++

CODE SINGLE PHASE

3301870

3301871

3301872

3301874

3301876

CODE THREE PHASE

-

-

3301873

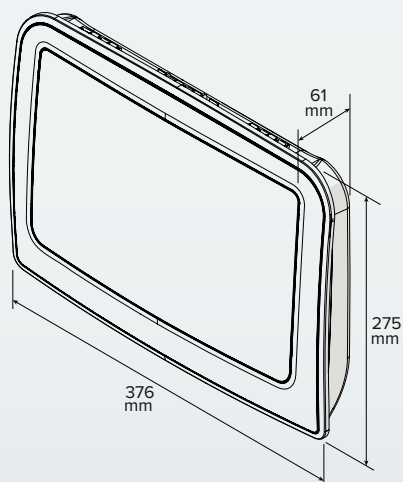
3301875

3301877

* Data according to EN 14511

TECHNICAL DATA

		35	50	80	120	150
Voltage/frequency (1-ph)	v/ph/Hz	230/1/50	230/1/50	230/1/50	230/1/50	230/1/50
Voltage/frequency (3-ph)	v/ph/Hz	-	-	400/3/50	400/3/50	400/3/50
Sound power level internal unit	kW	0.15	0.15	0.15	0.15	0.15
Weight	kg	2.5	2.5	2.5	2.5	2.5
Heating elements	kW	-	-	-	-	-
Minimum water quantity	l	17.5	25	40	60	75


LEGEND:

- 1 / External unit
- 2 / Expansion vessel
- 3 / Light box
- 4 / System interface Sensys HD
- 5 / Connectivity Light Gateway
- 6 / External probe
- 7 / Valves and filter kit
- 8 / Antifreeze kit
- 9 / By-pass valve
- 10 / Heating/cooling zone

