

WATTS® Vision

When comfort is easy in each room!

Electronic Thermostatic Head for radiator valves



WATTS®



WATTS® Vision BT-TH02



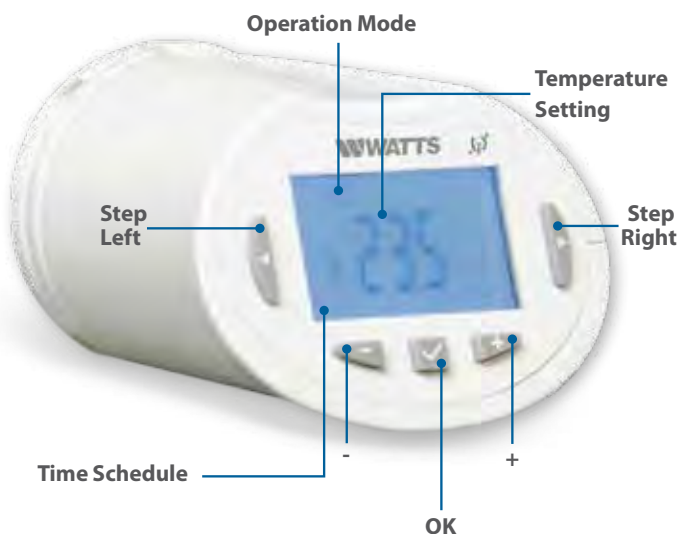
Better comfort & Energy saving

- Stand Alone or compatible with our **WATTS® Vision** System
- Easy set-up and user friendly
- Programmable with touch buttons
- Display with temperature cycles and comfort controls
- Easily installed on radiator valves
 - Smart controls



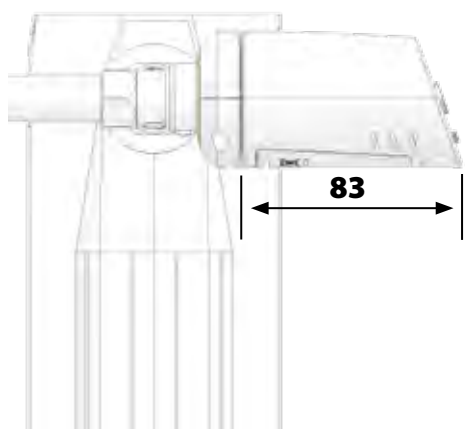
Thermostatic Control Head BT-TH02

Programmable thermostatic control head "Stand Alone" specially designed to control water flow of hydraulic radiators.



- Silent Step motor
- Precise temperature controls
- ITCS : Intelligent Temperature Control System
- Display Type : Pictogram with white backlight (30 minutes bargraph)
- Setting adjustment 0,5°C
- Key lock
- Valve exercise function
- Weekly time schedule
- Operation modes : Boost, Holidays, Comfort, Auto, Night Reduction, Antifreeze, Clock, Stop and programs
- Proportional regulation type on room sensor
- Automatic summer winter change over
- Valves compatibility : M30 x 1,5 and M28 x 1,5
- Open windows detection
- Power Supply : 2 batteries AA (included)

Dimensions (mm)



Technical Characteristics	
Ambient temperature	0 °C ÷ 50 °C
Temperature Setpoint range	5 °C ÷ 30 °C
Stroke	3,5 mm (Speed: 1mm/s)
Protection	Class I - IP20
Power supply	2 AA LR06 1.5V Alkaline
Actuator force	70N
CE Directives	
Designed in conformity with the European Directives	R&TTE 1999/5/EC EMC 2004/108/EC RoHS 2011/65/EU

- Compatibility with our **WATTS®** Vision system



WATTS®

A Watts Water Technologies Company

Watts Electronics S.A.S: ZA des Tourettes • 43800 Rosières • France

Phone +33 (0) 47 157 40 49 • Fax +33 (0) 47 157 40 90

e-mail: sales-rosieres@wattswater.com • www.wattsindustries.com